

# JVC

## Instruction Manual Compact Soundbar

TH-D227B





# Contents

---

<b>Safety Warnings</b> .....	<b>4</b>
<b>Unpacking</b> .....	<b>6</b>
<b>Product Overview</b> .....	<b>7</b>
Main Unit.....	7
Remote Control .....	9
<b>Preparation</b> .....	<b>10</b>
First-time Use of Remote Control .....	10
Battery Replacement for the Remote Control .....	10
Remote Control Operation Range.....	10
Wall Mounting.....	11
Speaker Placement.....	12
<b>Connections</b> .....	<b>13</b>
Method 1: Optical / Coaxial Connection .....	13
Method 2: AUDIO IN Connection.....	14
Connecting to the Mains Supply .....	15
<b>General Operation</b> .....	<b>16</b>
Standby / ON .....	16
Automatic Power Off Function .....	16
Selecting Modes.....	16
Adjusting the Speaker Level Settings and Effects.....	16
<b>OPTICAL / COAXIAL / AUX IN Operation</b> .....	<b>17</b>
<b>Bluetooth® Operation</b> .....	<b>18</b>
<b>Maintenance</b> .....	<b>18</b>
<b>Hints and Tips</b> .....	<b>19</b>
<b>Product Fiche and Specifications</b> .....	<b>20</b>
<b>Others Information and Licences</b> .....	<b>21</b>

# Safety Warnings

---

- Read all the instructions carefully before using the unit and keep them for future reference.
- Retain the manual. If you pass the unit onto a third party make sure to include this manual.
- Check that the voltage marked on the rating label matches your mains voltage.

## Damage

- Please inspect the unit for damage after unpacking.
- Do not continue to operate the unit if you are in any doubt about it working normally, or if it is damaged in any way - switch off, withdraw the mains plug and consult your dealer.

## Location of Unit

- The unit must be placed on a flat stable surface and should not be subjected to vibrations.
- Do not place the unit on sloped or unstable surfaces as the unit may fall off or tip over.
- The mains socket must be located near the unit and should be easily accessible.
- This unit is designed for indoor, domestic use only.

## Temperature

- Avoid extreme degrees of temperature, either hot or cold. Place the unit well away from heat sources such as radiators or gas / electric fires.
- Avoid exposure to direct sunlight and other sources of heat.
- Attention should be drawn to the use of apparatus in moderate climates.

## Naked Flames

- Never place any type of candle or naked flame on the top of or near the unit.

## Moisture

- To reduce the risk of fire, electric shock or product damage, do not expose this unit to rain, moisture, dripping or splashing. No objects filled with liquids, such as vases, should be placed on the unit. Do not operate the unit with wet hands, near water or other liquid.
- If you spill any liquid into the unit, it can cause serious damage. Switch it off at the mains immediately. Withdraw the mains plug and consult your dealer.

## Ventilation

- To prevent the risk of electric shock or fire hazard due to overheating, ensure that curtains and other materials do not obstruct the ventilation vents.
- A minimum distance of 5 cm around the unit should be maintained to allow for sufficient ventilation.
- Do not install or place this unit in a bookcase, built-in cabinet or in another confined space. Ensure the unit is well ventilated.

## Safety

- Always disconnect the unit from the mains supply before connecting / disconnecting other devices or moving the unit.
- Unplug the unit from the mains socket during a lightning storm.
- In the interests of safety and to avoid unnecessary energy consumption, never leave the unit switched on while unattended for long periods of time, e.g. overnight, while on holiday or while out of the house. Switch it off and disconnect the mains plug from the mains socket.

## Mains Cable

- Make sure the unit or unit stand is not resting on top of the mains cable, as the weight of the unit may damage the mains cable and create a safety hazard.
- If the mains cable is damaged it must be replaced by the manufacturer, its service agent, or similarly qualified persons in order to avoid a hazard.

## Interference

- Do not place the unit on or near appliances which may cause electromagnetic interference. If you do, it may adversely affect the operating performance of the unit, and cause a distorted picture or sound.

## Batteries

- Batteries used in the remote control for this unit are easily swallowed by young children and this is dangerous.
- Keep loose batteries away from young children and make sure that the battery holder tray is secure in the remote control. Seek medical advice if you believe a cell has been swallowed.
- Please dispose of batteries correctly by

- following the guidance in this manual.
- Do not expose the battery to direct sunlight or sources of excessive heat.
  - Attention should be drawn to the environmental aspects of battery disposal.

### Supervision

- Children should be supervised to ensure that they do not play with the unit and the remote control.
- Never let anyone especially children push anything into the holes, slots or any other openings in the case - this could result in a fatal electric shock.



The lightning flash with arrowhead symbol, within an equilateral triangle, is intended to alert the user to the presence of uninsulated “dangerous voltage” within the unit’s enclosure that may be of sufficient magnitude to constitute a risk of electric shock.



The exclamation point within an equilateral triangle is intended to alert the user to the presence of important operating and maintenance (servicing) instructions in the manual accompanying the unit.

### Service

- To reduce the risk of electric shock, do not remove screws. The unit does not contain any user-serviceable parts. Please leave all maintenance work to qualified personnel.
- Do not open any fixed covers as this may expose dangerous voltages.

### Maintenance

- Ensure to unplug the unit from the mains socket before cleaning.
- Do not use any type of abrasive pad or abrasive cleaning solutions as these may damage the unit’s surface.
- Do not use liquids to clean the unit.



To prevent the spread of fire, keep candles or other open flames away from this product at all times.

# Thank you

 for purchasing your new product.

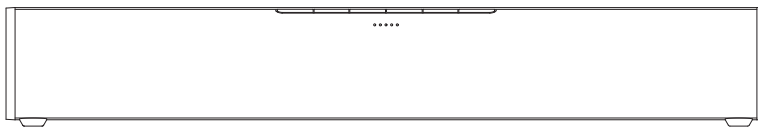
We recommend that you spend some time reading this instruction manual in order that you fully understand all the operational features it offers. You will also find some hints and tips to help you resolve any issues.

Read all the safety instructions carefully before use and keep this instruction manual for future reference.

## Unpacking

Remove all items from the packaging. Retain the packaging. If you dispose of it please do so according to local regulations.

The following items are included:



Main Unit



Remote Control  
(Batteries included)



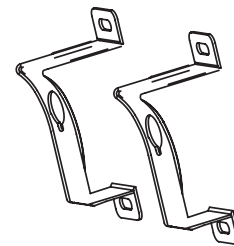
Mains Cable



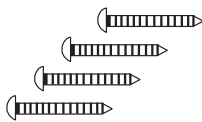
3.5 mm to 3.5 mm  
Stereo Audio Cable



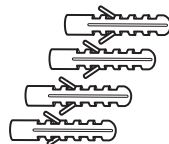
Coaxial Cable



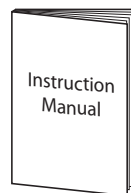
Wall Bracket x 2



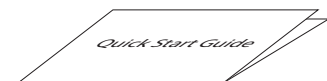
Screw x 4



Dowel x 4



Instruction Manual



Quick Start Guide

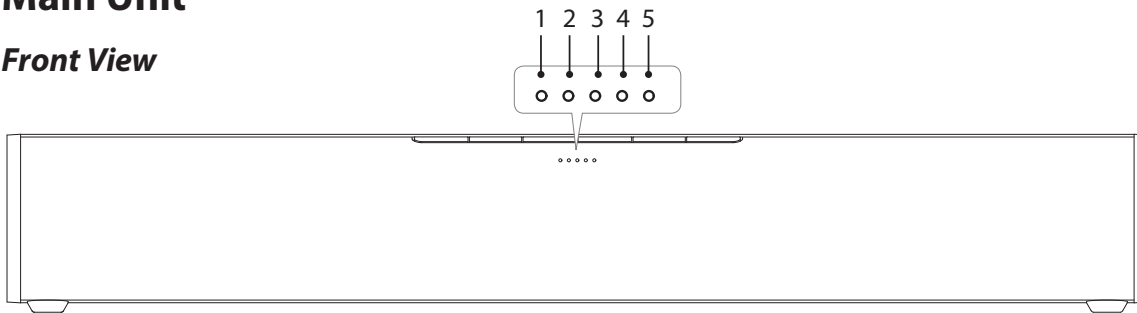


- To get the most from this product, you may need to buy an Optical cable.
- If items are missing, or damaged please contact Partmaster (UK only). Tel: 0344 800 3456 for assistance.
- If you require additional assistance:  
For UK, please call our UK Call Centre on **0344 561 1234**.  
For Ireland, please call our Ireland Call Center on **1 890 818 575**.

# Product Overview

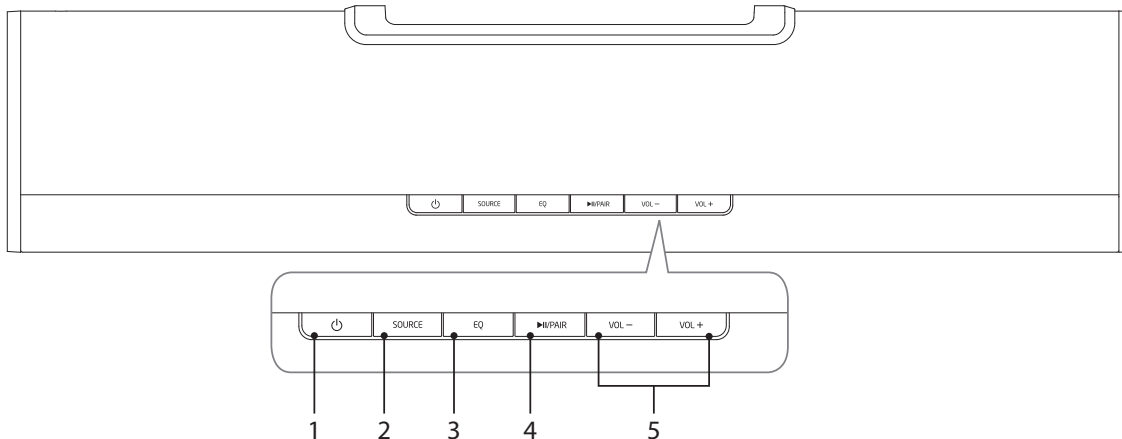
## Main Unit

### Front View



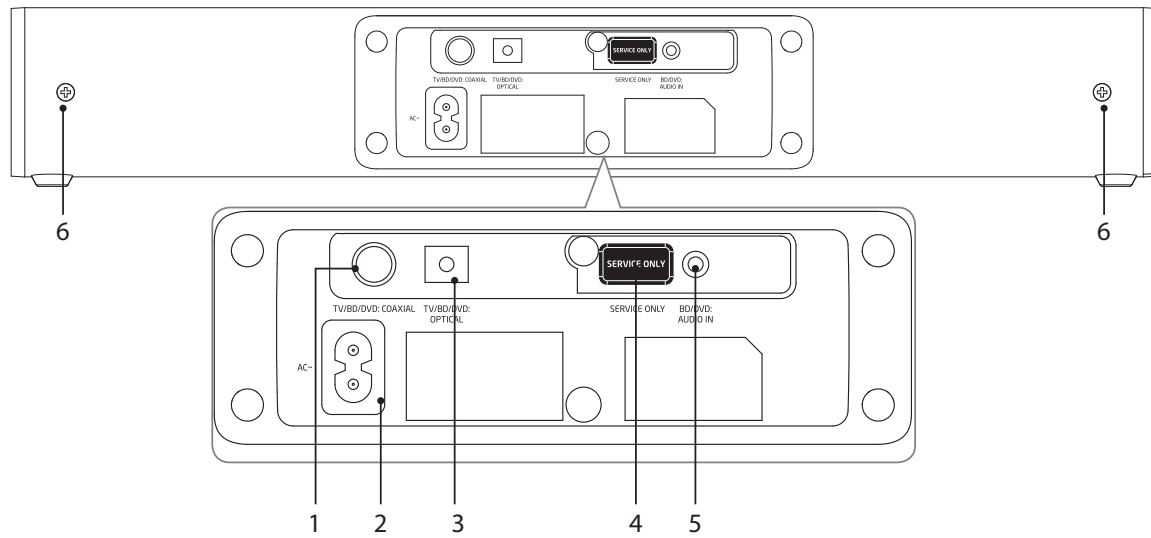
1. **POWER** Indicator  
In **Standby** mode: Light up **Red**.
2. **AUDIO IN** Indicator  
In **AUDIO IN** mode: Light up **Green**.
3. **Bluetooth (BT)** Indicator  
In **Bluetooth** mode: Light up **Blue**.
4. **OPTICAL** Indicator  
In **OPTICAL** mode: Light up **White**.
5. **COAXIAL** Indicator  
In **COAXIAL** mode: Light up **Orange**.

### Top View



1. **⏻** Button  
Switch the unit between **On** and **Standby** mode.
2. **SOURCE** Button  
Select the input source.
3. **EQ** Button  
Select between preset sound effect.
4. **►II/PAIR** Button  
Play/pause/resume playback (only for Bluetooth mode).  
Press and hold to activate the pairing function in Bluetooth mode and disconnect the existing paired Bluetooth device.
5. **VOL+/VOL-** Button  
Adjust the volume.

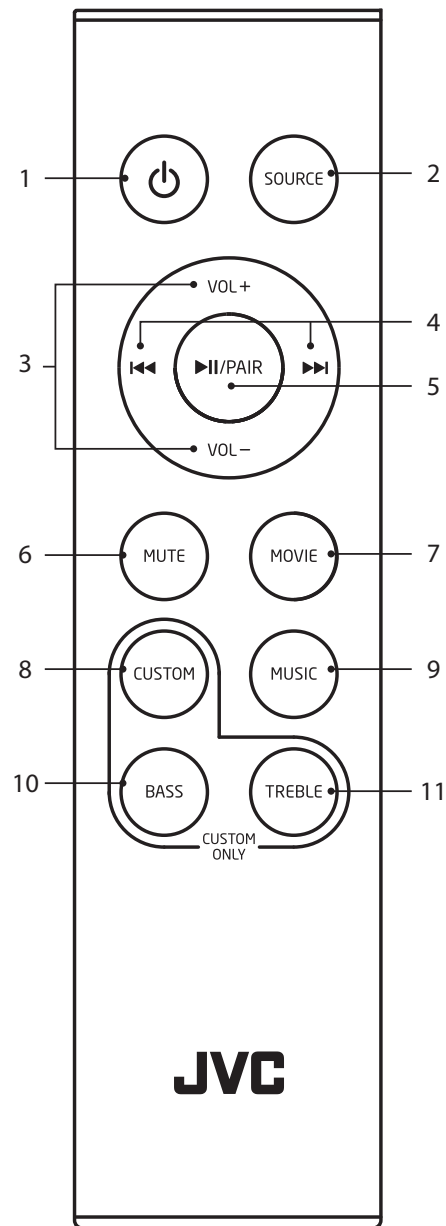
## Rear View



1. **COAXIAL** Socket
2. **AC~** Power Socket  
Connect a power cord.
3. **OPTICAL** Socket
4. **SERVICE ONLY** Socket  
The USB socket is for service only.
5. **AUDIO IN** Socket
6. Wall bracket screws

## Remote Control

1. **⏻** Button  
Switch the unit between **On** and **Standby** mode.
2. **SOURCE** Button  
Press to select between **AUX IN**, **OPTICAL**, **COAXIAL** and **BLUETOOTH** mode.
3. **VOL+/VOL-** Button  
Adjust the volume.
4. **⏮/⏭** Button
  - Press to skip backwards to the beginning of the track or to the previous track
  - Press to skip forwards to the next track in *Bluetooth*<sup>®</sup> mode.
5. **▶II/PAIR** Button
  - Play/pause/resume playback in *Bluetooth*<sup>®</sup> mode.
  - Press and hold to activate the pairing function or disconnect the existing paired Bluetooth device in Bluetooth mode.
6. **MUTE** Button  
Mute the unit or resume the sound.
7. **MOVIE** Button  
Press to select **MOVIE** EQ effect.
8. **CUSTOM** Button  
Press to select default EQ effect.
9. **MUSIC** Button  
Press to select **MUSIC** EQ effect.
10. **BASS** Button  
Press to activate bass setup in default EQ mode.
11. **TREBLE** Button  
Press to activate treble setup in default EQ mode.



# Preparation

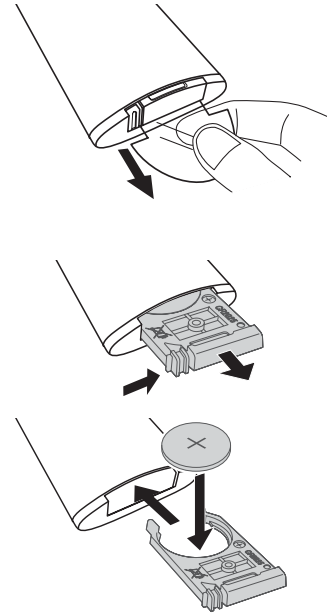
## First-time Use of Remote Control

The unit has a pre-installed lithium CR2025 battery.

Remove the protective tab to activate the remote control battery.

## Battery Replacement for the Remote Control

1. Gently push the tab of the battery tray in and slide it free from the remote control.
2. Replace with a new CR2025 battery.
3. Slide the tray back into the remote control. There will be a click once it is back in place.



### Handling the Battery

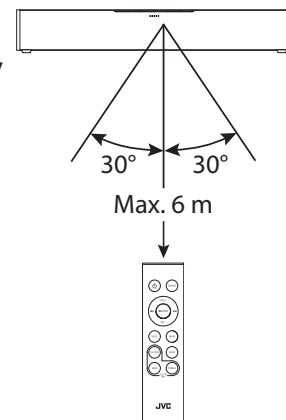
- Improper or incorrect use of batteries may cause corrosion or battery leakage, which could cause fire, personal injury or damage to property.
- Only use the battery type indicated in this manual.
- Do not install new batteries with used ones and do not mix different types of batteries.
- Do not dispose of used batteries as domestic waste. Dispose of them in accordance with local regulations.

### Handling the Remote Control

- Do not drop the remote control.
- Do not allow anything to impact the remote control.
- Do not spill water or any liquid on the remote control.
- Do not place the remote control on a wet object.
- Do not place the remote control under direct sunlight or near sources of excessive heat.
- Remove the battery from the remote control when not in use for a long period of time, as corrosion or battery leakage may occur and result in physical injury, and / or property damage, and / or fire.
- When the battery is exhausted, the remote control will not function.

## Remote Control Operation Range

- The remote control sensor on the front unit is sensitive to the remote control's commands up to a maximum of 6 metres away and within a maximum of a 60° arc.
- Please note that the operating distance may vary depending on the brightness of the room.

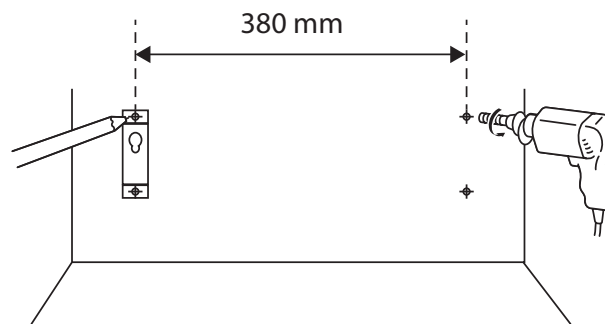


## Wall Mounting

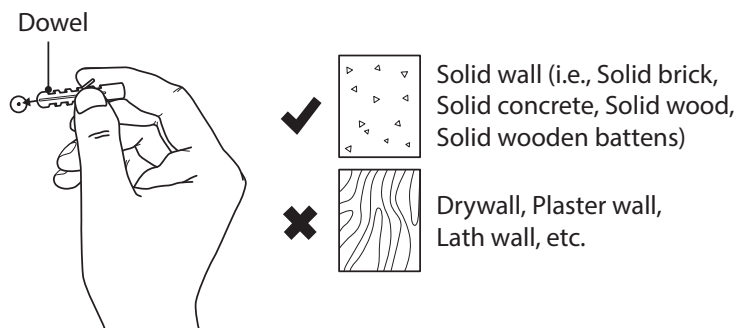


- Installation must be carried out by qualified personnel only. Incorrect assembly can result in severe personal injury and property damage (if you intend to install this product yourself, you must check for installations such as electrical wiring and plumbing that may be buried inside the wall). It is the installer's responsibility to verify that the wall will safely support the total load of the soundbar.
- Additional tools (not included) are required for the installation.
- Do not overtighten screws.
- Keep this instruction manual for future reference.
- Use an electronic stud finder to check the wall type before drilling and mounting.

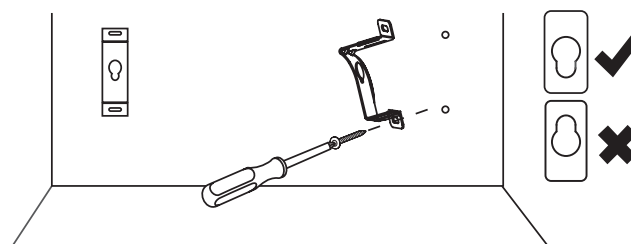
1. Drill 4 parallel holes (Ø 3-8 mm each according to wall type) in the wall. The distance between the holes should be 380 mm.



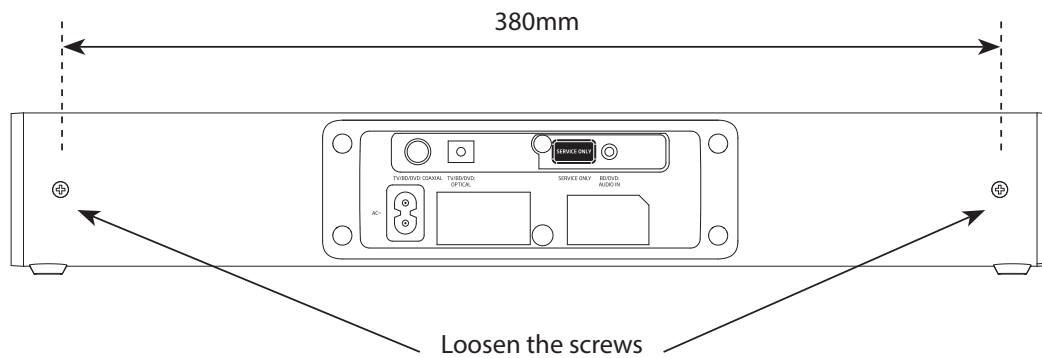
2. Firmly fix 1 dowel (included) into each hole in the wall if necessary.



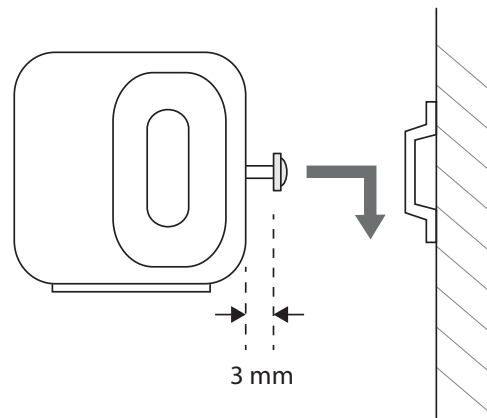
3. Tighten the wall mount brackets on the wall with screws (included) and screwdriver (not included). Make sure that they are securely installed.



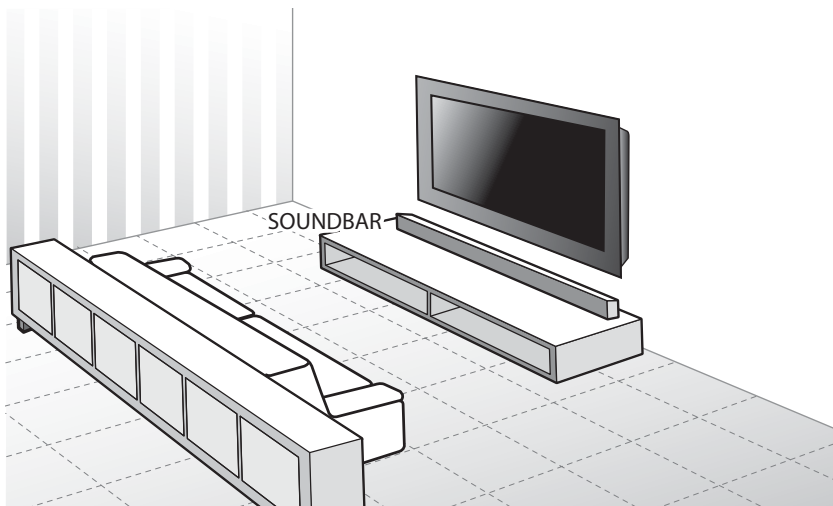
4. Loosen the screws at the back of the unit. Leave approximately 3 mm between the screw head and the surface of the unit.



5. Lift the unit onto the wall mount brackets and slot into place.



## Speaker Placement



### Soundbar

Soundbar carries most of the dialogue as well as music and effects.

- If your TV is placed on a table, you can place the soundbar on the table directly in front of the TV stand, centred with the TV screen.
- If your TV is attached to a wall, you can mount the soundbar on the wall directly below the TV screen.

# Connections



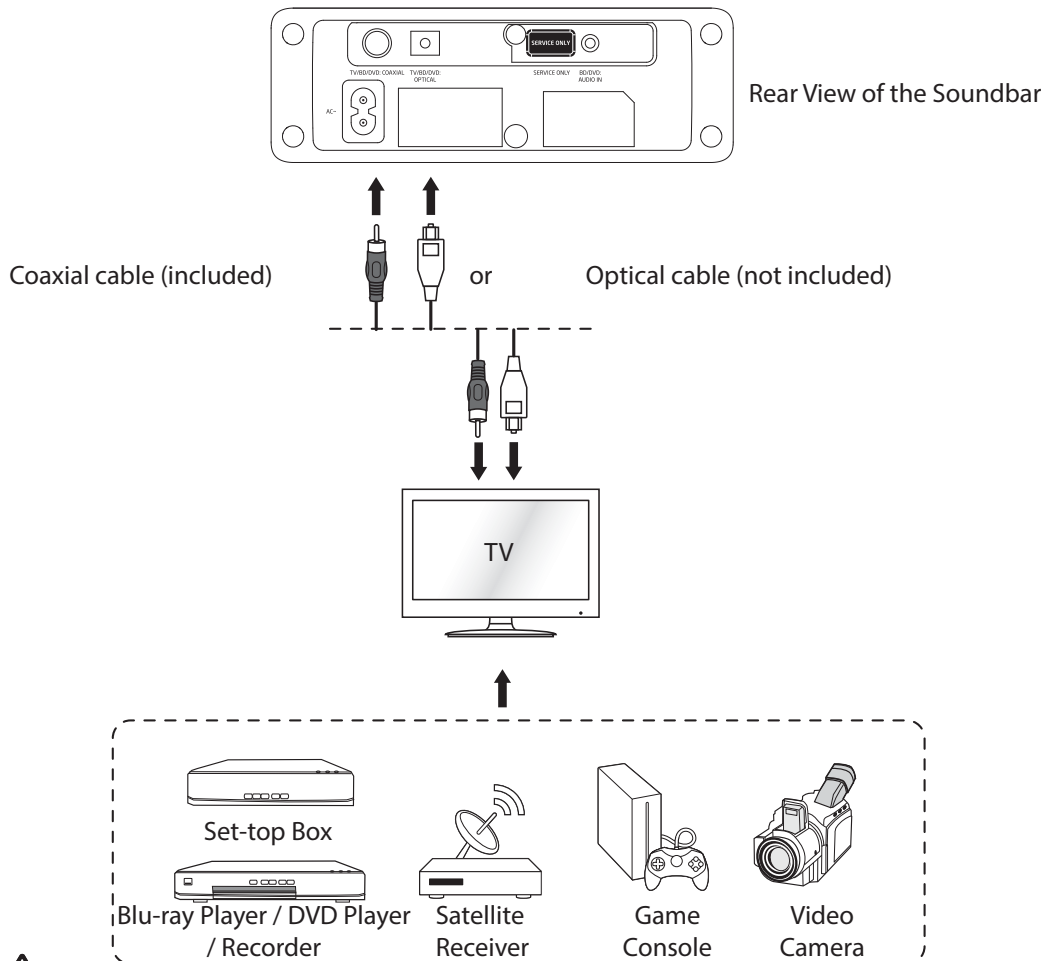
This section involves various methods of connecting the product to other external components. Ensure all audio connections of the unit are connected before connecting to the mains power socket.

## Method 1: Optical / Coaxial Connection

Use an optical cable (not included) or coaxial cable (included) to connect the soundbar's **OPTICAL / COAXIAL** socket to the **OPTICAL OUT / COAXIAL OUT** socket of the external device. The simplest option is to connect your soundbar directly to your TV. If you connect the soundbar to another external device (e.g. Blu-Ray player), you will hear the sound from that device through the soundbar.

After the connection is completed,

1. Press **⏻** on the unit or remote control to switch on the unit.
2. Press **SOURCE** repeatedly to select **OPTICAL** or **COAXIAL** mode.



The unit may not be able to decode all digital audio formats from the input source. In this case, the unit will mute. This is NOT a defect. Ensure that the audio setting of the input source (e.g. TV, game console, DVD player, etc.) is set to **PCM** (Refer to the user manual of the input source device for its audio setting details) with Optical/Coaxial input.



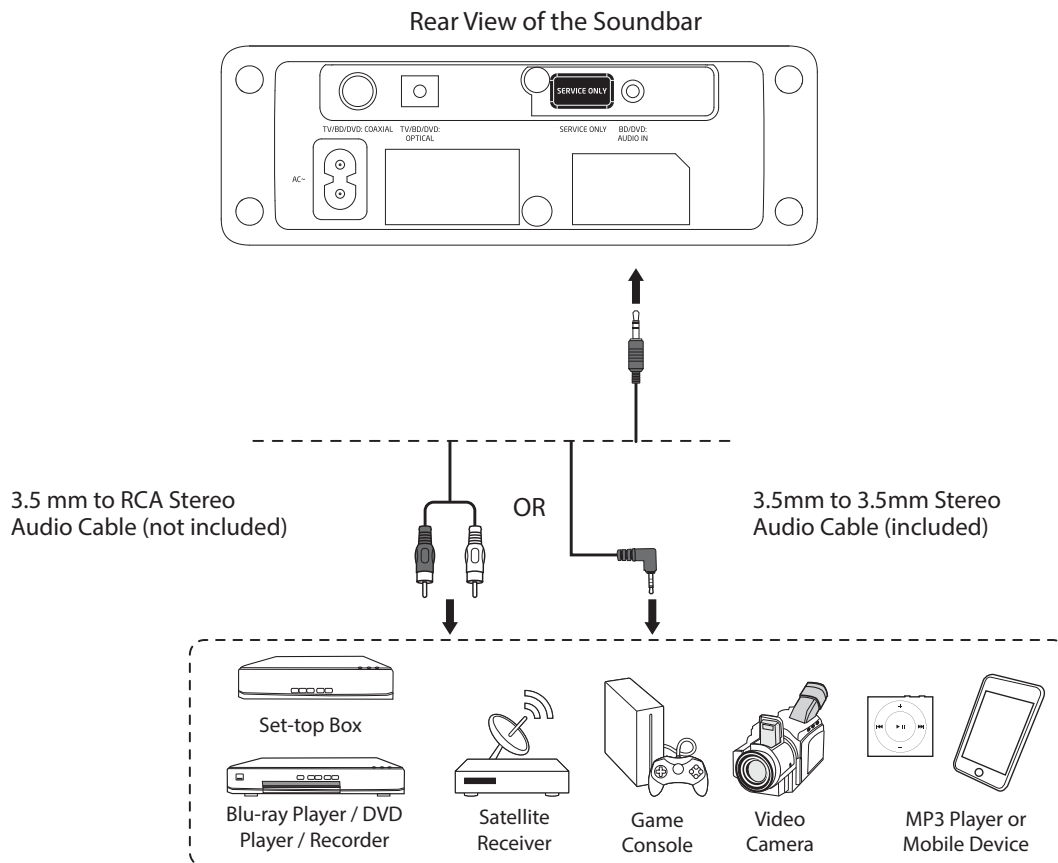
DO NOT connect the soundbar with the TV through its **RCA** sockets or **headphone** socket.

## Method 2: AUDIO IN Connection

Use a 3.5 mm to RCA stereo audio cable (not included) or a 3.5 mm to 3.5 mm stereo audio cable (included) to connect the soundbar's **AUDIO IN** socket to the **AUDIO OUT/ HEADPHONES** sockets of the external device.

After the connection is completed,

1. Press **⏻** on the unit or remote control to switch on the unit.
2. Press **SOURCE** repeatedly to select **AUDIO IN** mode.



- Ensure the colours on the cable plugs match with the colours on the input and output sockets.
- DO NOT connect the soundbar and TV by using the **AUDIO IN** socket.

## Connecting to the Mains Supply

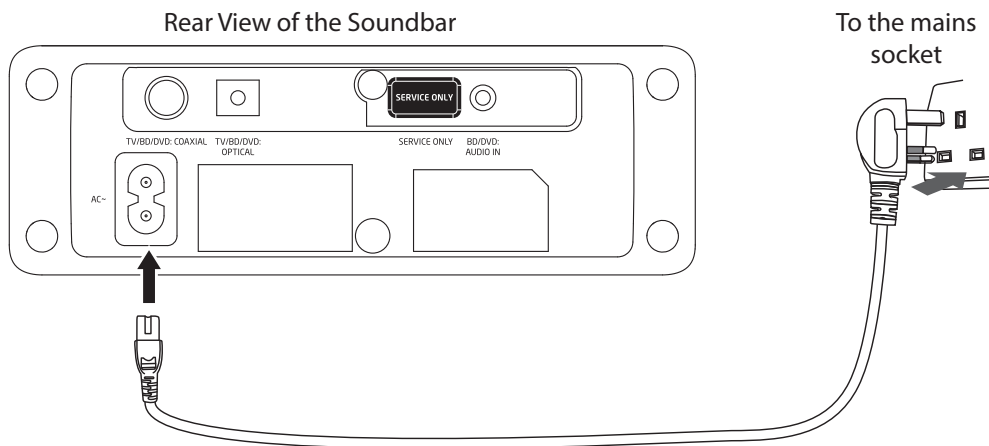
The soundbar is designed to operate with the supplied mains cables.



- Connecting the unit to any other power source may damage the unit.
- Ensure all audio connections of the unit are connected before connecting to the mains power socket.
- Make sure the mains plug is firmly inserted into the mains socket.
- To switch the unit off completely, remove the mains plug from the mains socket.
- Please turn the unit off completely to save energy when not in use.
- The mains adapter and mains cable are designed for this JVC soundbar only. DO NOT use the mains adapter and mains cable for other purposes.

### Soundbar

Unwind the mains cable to its full length. Connect the end of the cable to the **AC ~** socket at the rear of the unit and then connect the mains plug to the mains socket. Make sure the mains plug is fully inserted into the mains socket.



# General Operation

## Standby / ON

When you first connect the unit to the mains socket, the unit will be in **Standby** mode.

- Press **⏻** on the unit or on the remote control to switch the unit on.
- Press **⏻** on the unit or on the remote control again to switch the unit back to **Standby** mode. The **POWER** indicator will light up red.

## Automatic Power Off Function

The unit automatically turns to **Standby** mode after about 15 minutes if the TV or the external unit is disconnected, switched off or the volume is too close to mute.



- To switch the unit off completely, remove the mains plug from the mains socket.
- Please turn the unit off completely to save energy when not in use.

## Selecting Modes

Press **SOURCE** on the unit or remote control repeatedly to select between **AUDIO IN**, **BLUETOOTH**, **OPTICAL** and **COAXIAL** mode.

The indicator light on the front of the main unit will show which mode is currently in use.

## Adjusting the Speaker Level Settings and Effects

### Adjusting the Volume

- Press **VOL+/VOL-** to adjust the volume.
- If you wish to turn the sound off, press **MUTE** on the remote control. Press **MUTE** again, or press **VOL+/VOL-** on the unit or on the remote control to resume normal listening.

### Select Equaliser (EQ) Effect

Press the **EQ** button on the unit or the **CUSTOM/MOVIE/MUSIC** button on the remote control to select the preset equaliser effects.

- When **CUSTOM** (Default) is selected, the **COAXIAL** indicator will flash (**Orange**) once.
- When **MOVIE** EQ is selected, the **OPTICAL** indicator will flash (**White**) once.
- When **MUSIC** EQ is selected, the **BT** indicator will flash (**Blue**) once.

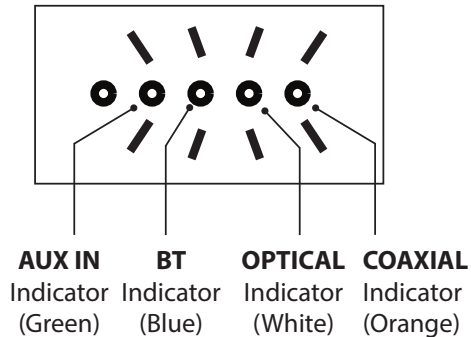


- While the unit is in **COAXIAL**, **OPTICAL**, or **AUDIO IN** mode, it will automatically switch into **MOVIE EQ** effect.
- While the unit is in **Bluetooth** mode, it will automatically switch into **MUSIC EQ** effect.

## Adjusting the Bass/Treble Level in CUSTOM EQ mode

1. Make sure that the EQ is set to **CUSTOM** mode.
2. Press **BASS/TREBLE** on the remote control. The **AUX IN**, **BT**, **OPTICAL** and **COAXIAL** indicators will flash once.
3. Press **VOL+/VOL-** to adjust the bass/treble level.
4. After about 5 seconds, the **AUX IN**, **BT**, **OPTICAL** and **COAXIAL** indicators will flash once again to indicate that the unit has exited **BASS/TREBLE** setup.
5. You may now press **VOL+/VOL-** to adjust volume.

Front view of the main unit  
(while pressing **BASS/TREBLE** button)



- While adjusting the bass/treble level, the status indicator flashes quickly.
- While the **BASS/TREBLE** reaches its maximum or minimum level, the status will flash once if you press **VOL+/VOL-** again.

The table below also shows the EQ mode supporting bass/treble adjustment.

EQ Mode	Adjusting Bass Level?	Adjusting Treble Level?
<b>Custom</b>	✓	✓
<b>Movie</b>	N/A	N/A
<b>Music</b>	N/A	N/A

## OPTICAL / COAXIAL / AUX IN Operation

There are **OPTICAL/COAXIAL/AUDIO IN** sockets located at the rear of the unit.

1. Before connecting to the mains socket, ensure all the connections are completed.
2. While in the **On** mode, press **SOURCE** on the unit or remote control repeatedly to select between **AUDIO IN**, **OPTICAL** and **COAXIAL** mode.
3. Operate your audio device directly for playback features.



While using **COAXIAL / OPTICAL** mode, ensure the audio setting of the input source (e.g. TV, games console, DVD player, etc.) is set to **PCM** (Refer to the user manual of the input source device for its audio setting details) with optical / coaxial output.

# Bluetooth® Operation

Pairing the unit with a *Bluetooth*® device to listen to music:

## First time pairing

1. During **On** mode, press **SOURCE** on the unit or remote control repeatedly to select *Bluetooth*® mode. The blue indicator will flash slowly.
2. Activate your *Bluetooth*® device and select the search mode. "**TH-D227B**" will appear on your *Bluetooth*® device list.
  - If you cannot find the soundbar, press and hold the **▶II/PAIR** button on the unit or remote control. The system has entered pairing mode. The **BT** indicator will flash rapidly and prompt "**Pairing**".
3. Select "**TH-D227B**" enter "**0000**" for the password if necessary. The unit will voice "**Paired**" and the **BT** indicator will light up solidly.
4. To disconnect the *Bluetooth*® function, you can:
  - Switch to another function on the unit;
  - Disable the function from your *Bluetooth*® device. The *Bluetooth*® device will be disconnected from the soundbar after the "**Disconnected**" voice prompt.
  - Press and hold **▶II/PAIR** on the unit or **▶II** on the remote control. The *Bluetooth*® device will be disconnected from the soundbar after the "**Pairing**" voice prompt.

If your *Bluetooth*® device supports AVRCP, use the supplied remote control to control play.

- To pause / resume playback, press **▶II** on the unit, or **▶II/PAIR** on remote control.
- To skip to a track, press **◀◀ / ▶▶**.



- The operational range between the unit and the device is approximately 8 metres.
- Before connecting a *Bluetooth*® device to the unit, ensure you know the device's capabilities.
- Compatibility with all *Bluetooth*® devices is not guaranteed.
- Any obstacle between the device and the unit can reduce operational range.
- Keep this player away from other electronic devices that may cause interference.
- The player will also be disconnected when your device is moved beyond the operational range.

# Maintenance



Ensure the unit is fully unplugged from the mains socket before cleaning.

- To clean the units, wipe the case with a slightly moist, lint-free cloth.
- Do not use any cleaning fluids containing alcohol, ammonia or abrasives.
- Do not spray aerosol at or near the unit.

# Hints and Tips

If a problem does occur, it may often be due to something very minor. The following table contains various tips. If you require additional assistance

- For UK, please call our UK Call Centre on **0344 561 1234**.
- For Ireland, please call our Ireland Call Center on **1 890 818 575**.

Problem	Solution
No power.	<ul style="list-style-type: none"> <li>• Ensure the mains plug is connected.</li> <li>• Make sure that you select the <b>On</b> mode.</li> </ul>
The remote control does not function.	<ul style="list-style-type: none"> <li>• Use the remote control near the unit.</li> <li>• Point the remote control at the remote sensor on the unit.</li> <li>• Replace the battery in the remote control with a new one.</li> <li>• Remove any obstacles between the remote control and the unit.</li> </ul>
Loud hum or noise is heard.	<ul style="list-style-type: none"> <li>• The plugs and sockets are dirty. Wipe them with a cloth slightly moistened with alcohol.</li> </ul>
No sound from the soundbar.	<p>Please try either one of the solutions below:</p> <ul style="list-style-type: none"> <li>• Make sure that the unit is not muted. Press <b>MUTE</b> or <b>VOL+/VOL-</b> button to resume normal listening.</li> <li>• Press <b>⏻</b> on the unit or on the remote control to switch the soundbar to standby mode. Then press the button again to switch the soundbar on.</li> <li>• Unplug the soundbar from the mains socket, then plug it in again. Switch on the soundbar.</li> <li>• Ensure the audio setting of the input source (e.g. TV, game console, DVD player, etc.) is set to <b>PCM</b> mode while using digital (e.g. <b>OPTICAL</b>) connection.</li> <li>• The unit may not be able to decode all digital audio formats from the input source. In this case, the unit will mute. This is NOT a defect.</li> </ul>
The unit does not respond when pressing any buttons.	<ul style="list-style-type: none"> <li>• The unit may freeze up during use. Switch the unit off and then on again at the mains socket to reset the unit.</li> </ul>
I cannot find “ <b>TH-D227B</b> ” on my Bluetooth device	<ul style="list-style-type: none"> <li>• Ensure that the unit is switched on.</li> <li>• Ensure that the Bluetooth® function is activated on your Bluetooth® device.</li> <li>• The unit has a Bluetooth® function that can receive a signal within 8 metres. Keep a distance within 8 metres between the unit and your Bluetooth® device.</li> </ul>



If any anomaly is encountered, unplug the mains adapter from the mains socket and reconnect it again.

# Product Fiche and Specifications

<b>Brand</b>		<b>JVC</b>
<b>Model</b>		<b>TH-D227B</b>
<b>Main Unit Input</b>		AC 220-240V~ 50/60 Hz
<b>Main Unit Power Consumption</b>		30 W
<b>Speaker Output Power</b>		15 W rms × 2
<b>USB Service Port</b>		5 V $\overline{=}$ 500 mA max. (for service use only) Do NOT use for other purposes
<b>Bluetooth®</b>	<b>Bluetooth® Version</b>	<i>Bluetooth®</i> 4.2
	<b>Maximum power transmitted</b>	5 dBm
	<b>Frequency bands</b>	2402 MHz ~ 2480 MHz
<b>Ecodesign Information (Soundbar)</b>		
<b>Information on Power Consumption</b>	<b>Power Consumption of Another Condition (The product was connected to AC mains via detachable power cord set and the USB with 5V output voltage)</b>	< 0.5 W
	<b>Network Standby Power Consumption</b>	N/A
<b>Time interval for power management function switches the unit automatically into Another Condition (The product was connected to AC mains via detachable power cord set and the USB with 5V output voltage)</b>		Switch to another condition within 15 minutes after intended use
<b>Power consumption in network standby if all wireless network ports are activated</b>		N/A
<b>How to activate wireless network port:</b> <ul style="list-style-type: none"> <li>• Connect the unit with power</li> <li>• Switch to wireless mode (e.g. Bluetooth)</li> </ul> <b>How to deactivate wireless network port:</b> <ul style="list-style-type: none"> <li>• Press the <math>\phi</math> Standby button</li> </ul>		
<b>Net Weight</b>		1.35 kg
<b>Dimension</b>		420 mm (W) × 64.5 mm (H) × 92 mm (D)

Features and specifications are subject to change without prior notice.

# Others Information and Licences



**Team Knowhow**

Help with all life's kit™

For general information about this appliance and handy hints and tips, please visit: [www.TeamKnowhow.com/discover](http://www.TeamKnowhow.com/discover) or call UK: **0344 561 1234** Ireland: **1890 818 575**.



Visit [Partmaster.co.uk](http://Partmaster.co.uk) today for the easiest way to buy electrical spares and accessories. With over 1 million spares and accessories available we can deliver direct to your door the very next day. Visit [www.partmaster.co.uk](http://www.partmaster.co.uk) or call 0344 800 3456 (UK customers only). Calls charged at National Rate.



The symbol on the product or its packaging indicates that this product must not be disposed of with your other household waste. Instead, it is your responsibility to dispose of your waste equipment by handing it over to a designated collection point for the recycling of waste electrical and electronic equipment. The separate collection and recycling of your waste equipment at the time of disposal will help conserve natural resources and ensure that it is recycled in a manner that protects human health and the environment.

For more information about where you can drop off your waste for recycling, please contact your local authority, or where you purchased your product.

### **Notes for battery disposal**

The batteries used with this product contain chemicals that are harmful to the environment. To preserve our environment, dispose of used batteries according to your local laws or regulations. Do not dispose of batteries with normal household waste.

For more information, please contact the local authority or your retailer where you purchased the product.

The *Bluetooth*® word mark and logos are registered trademarks owned by the Bluetooth SIG, Inc. and any use of such marks by DSG Retail Limited is under license. Other trademarks and trade names are those of their respective owners.

All trademarks are the property of their respective owners and all rights are acknowledged.





Dear Customer,

This apparatus is in conformance with the valid European directives compatibility and electrical safety.

European representative of the manufacturer is:

DSG Retail Ltd. (co. no. 504877)

1 Portal Way, London, W3 6RS, UK

**For Help and Support Call**

**UK: 0344 561 1234**

**Ireland: 1890 818 575**

The product is distributed and warranted exclusive by DSG Retail Ltd.  
"JVC" is the trademark of JVC KENWOOD Corporation,  
used by DSG Retail Ltd. under license.

(IB-TH-D227B-171017V3)